



# flowboost<sup>®</sup>

F.V Range

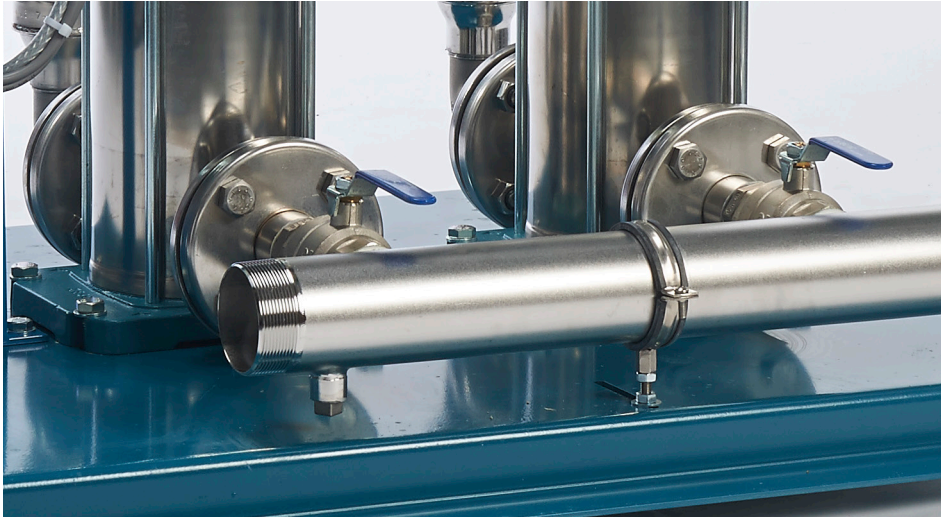
Twin and Three Pump Booster Sets

## DATA SHEET

First Publication Date: 01/09/2020

Revision: v1

Revision Date:



70 dba

DECIBEL  
LEVEL



LED INVERTER  
DISPLAY



THREE PHASE



CE MARKED



COMMON VOLT  
FREE EXTERNAL  
BMS CONTACTS



304 STAINLESS  
STEEL  
MANIFOLDS

also available with  
horizontal multistage  
pumps

# PRODUCT OVERVIEW

## Flowboost F.V Range Booster Sets

Introducing the **flowboost** F.V Range of high specification Booster Sets available as twin and three pump units, complete with variable speed Flowmat F inverters and WRAS approved stainless steel vertical multistage pumps. Suitable for commercial use. Fully wired and tested.

- Variable Speed Booster Set
- Twin Pump Operation Mode - Duty/Standby or Duty/Assist
- Three Pump Operation Mode - Duty/Assist/Standby or Duty/Assist/Assist
- WRAS Approved vertical multistage pumps
- Built in protection against hydraulic shock
- Protection against dry running / low pressure
- Cyclic change-over of duty
- Low Water Level Protection - Provision for wiring of 2 float switches
- Advanced LED Controller displays working pressure, absorbed current and alarm log
- Common volt free contacts
- Flowcare 2 Year 24/7 response warranty available if commissioned
- **Maximum allowable static head 10 Bar**

# PRODUCT DETAILED OVERVIEW

**Flowboost** F.V Range  
Booster Sets



## Electrical Panel

Comes with Individual MCB circuit breaker per pump



## Electrical Isolator

Separate tamperproof / lockable electrical isolator



## Expansion Vessel Drain Valve

12 litre expansion vessel per pump complete with drain valve



## Transducer

One 4-20mA 10 Bar transducer per pump

# MODELS, DIMENSIONS & ELECTRICAL DATA

## DATA

### Flowboost F.V Range Booster Sets

MODEL	Kw Per Pump	F.L.C. AMPS Per Pump	Suction CONNECTION DN1	Discharge CONNECTION DN2	WIDTH mm	DEPTH mm	HEIGHT mm
<b>Twin Pump Models</b>							
flowboost 2V.FV.3.25204	0.75	1.9	1½"	1½"	900	725	990
flowboost 2V.FV.3.25205	0.75	1.9	1½"	1½"	900	725	990
flowboost 2V.FV.3.25206	1.1	2.7	1½"	1½"	900	725	990
flowboost 2V.FV.3.25207	1.1	2.7	1½"	1½"	900	725	990
flowboost 2V.FV.3.25208	1.5	4.3	1½"	1½"	900	725	990
flowboost 2V.FV.3.25210	1.5	4.3	1½"	1½"	900	725	990
flowboost 2V.FV.3.32404	1.1	2.7	2"	2"	900	725	1040
flowboost 2V.FV.3.32405	1.1	2.7	2"	2"	900	725	1040
flowboost 2V.FV.3.32406	1.5	4.3	2"	2"	900	725	1040
flowboost 2V.FV.3.32407	1.5	4.3	2"	2"	900	725	1040
flowboost 2V.FV.3.32408	2.2	5.3	2"	2"	900	725	1040
flowboost 2V.FV.3.32410	2.2	5.3	2"	2"	900	725	1040
flowboost 2V.FV.3.40804	1.5	4.3	2½"	2½"	920	870	1090
flowboost 2V.FV.3.40805	2.2	5.3	2½"	2½"	920	870	1090
flowboost 2V.FV.3.40806	2.2	5.3	2½"	2½"	920	870	1090
flowboost 2V.FV.3.40807	3.0	6.6	2½"	2½"	920	870	1090
flowboost 2V.FV.3.40808	3.0	6.6	2½"	2½"	920	870	1090
flowboost 2V.FV.3.40810	4.0	9.6	2½"	2½"	920	870	1090
flowboost 2V.FV.3.501504	3.0	6.6	3"	3"	1100	1200	800
flowboost 2V.FV.3.501505	4.0	9.6	3"	3"	1100	1200	1100
flowboost 2V.FV.3.501506	5.5	10.9	3"	3"	1100	1200	1100
flowboost 2V.FV.3.501507	5.5	10.9	3"	3"	1100	1200	1190
flowboost 2V.FV.3.501508	5.5	10.9	3"	3"	1100	1200	1190
flowboost 2V.FV.3.501509	5.5	10.9	3"	3"	1100	1200	1190
flowboost 2V.FV.3.502005	5.5	10.9	3"	3"	1100	1200	1250
flowboost 2V.FV.3.502006	5.5	10.9	3"	3"	1100	1200	1250
flowboost 2V.FV.3.502008	5.5	10.9	3"	3"	1100	1200	1250
flowboost 2V.FV.3.653202	4	9.6	5"	6"	1100	1200	795
flowboost 2V.FV.3.653203	5.5	10.9	5"	6"	1100	1200	865
flowboost 2V.FV.3.653204	7.5	14.3	5"	6"	1100	1200	910
flowboost 2V.FV.3.653205	11	21.5	5"	6"	1100	1200	1100
flowboost 2V.FV.3.804801	4	9.6	5"	6"	1100	1400	775
flowboost 2V.FV.3.804802	5.5	10.9	5"	6"	1100	1400	855
flowboost 2V.FV.3.804803	7.5	14.3	5"	6"	1100	1400	915
flowboost 2V.FV.3.804804	11	21.5	5"	6"	1100	1400	1125

# MODELS, DIMENSIONS & ELECTRICAL DATA

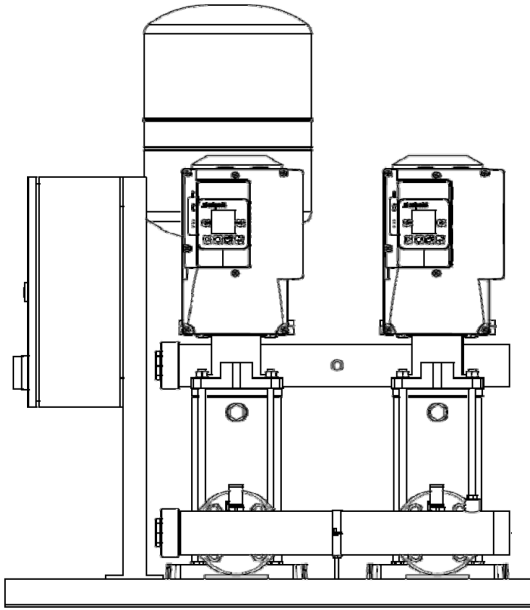
## Flowboost F.V Range Booster Sets

MODEL	Kw Per Pump	F.L.C. AMPS Per Pump	Suction CONNECTION DN1	Discharge CONNECTION DN2	WIDTH mm	DEPTH mm	HEIGHT mm
<b>Three Pump Models</b>							
flowboost 3V.FV.3.25204	0.75	1.9	2"	2"	1300	900	1000
flowboost 3V.FV.3.25205	0.75	1.9	2"	2"	1300	900	1000
flowboost 3V.FV.3.25206	1.1	1.9	2"	2"	1300	900	1000
flowboost 3V.FV.3.25207	1.1	2.7	2"	2"	1300	900	1000
flowboost 3V.FV.3.25208	1.5	2.7	2"	2"	1300	900	1000
flowboost 3V.FV.3.25210	1.5	4.3	2"	2"	1300	900	1000
flowboost 3V.FV.3.32404	1.1	4.3	2½"	2½"	1300	900	1055
flowboost 3V.FV.3.32405	1.1	2.7	2½"	2½"	1300	900	1055
flowboost 3V.FV.3.32406	1.5	2.7	2½"	2½"	1300	900	1055
flowboost 3V.FV.3.32407	1.5	4.3	2½"	2½"	1300	900	1055
flowboost 3V.FV.3.32408	2.2	4.3	2½"	2½"	1300	900	1055
flowboost 3V.FV.3.32410	2.2	5.3	2½"	2½"	1300	900	1055
flowboost 3V.FV.3.40804	1.5	5.3	3"	3"	1300	900	1100
flowboost 3V.FV.3.40805	2.2	4.3	3"	3"	1300	900	1100
flowboost 3V.FV.3.40806	2.2	5.3	3"	3"	1300	900	1100
flowboost 3V.FV.3.40807	3.0	5.3	3"	3"	1300	900	1100
flowboost 3V.FV.3.40808	3.0	6.6	3"	3"	1300	900	1100
flowboost 3V.FV.3.40810	4.0	6.6	3"	3"	1300	900	1100
flowboost 3V.FV.3.501504	3.0	6.6	4"	4"	1400	1400	1200
flowboost 3V.FV.3.501505	4.0	9.6	4"	4"	1400	1400	1200
flowboost 3V.FV.3.501506	5.5	10.9	4"	4"	1400	1400	1200
flowboost 3V.FV.3.501507	5.5	10.9	4"	4"	1400	1400	1200
flowboost 3V.FV.3.501508	5.5	10.9	4"	4"	1400	1400	1200
flowboost 3V.FV.3.501509	5.5	10.9	4"	4"	1400	1400	1225
flowboost 3V.FV.3.502005	5.5	10.9	4"	4"	1400	1400	1100
flowboost 3V.FV.3.502006	5.5	10.9	4"	4"	1400	1400	1100
flowboost 3V.FV.3.502008	5.5	10.9	4"	4"	1400	1400	1225
flowboost 3V.FV.3.653202	4	9.6	5"	6"	1600	1400	830
flowboost 3V.FV.3.653203	5.5	10.9	5"	6"	1600	1400	865
flowboost 3V.FV.3.653204	7.5	14.3	5"	6"	1600	1400	910
flowboost 3V.FV.3.653205	11	21.5	5"	6"	1600	1400	1105
flowboost 3V.FV.3.804801	4	9.6	5"	6"	1600	1400	915
flowboost 3V.FV.3.804802	5.5	10.9	5"	6"	1600	1400	915
flowboost 3V.FV.3.804803	7.5	14.3	5"	6"	1600	1400	920
flowboost 3V.FV.3.804804	11	21.5	5"	6"	1600	1400	1125

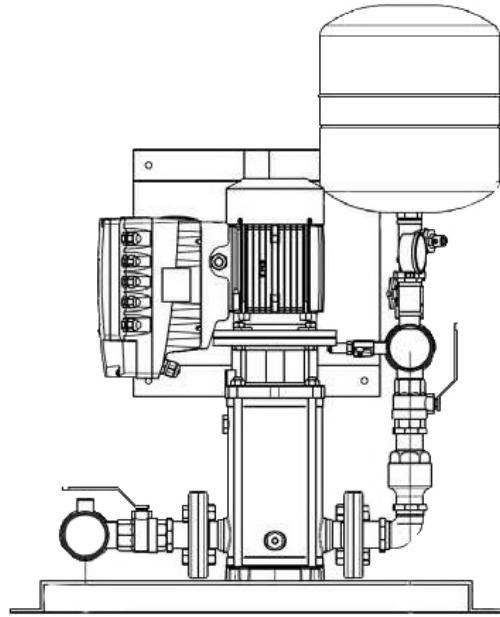


# DIMENSIONAL DRAWINGS & **SCHEMATICS**

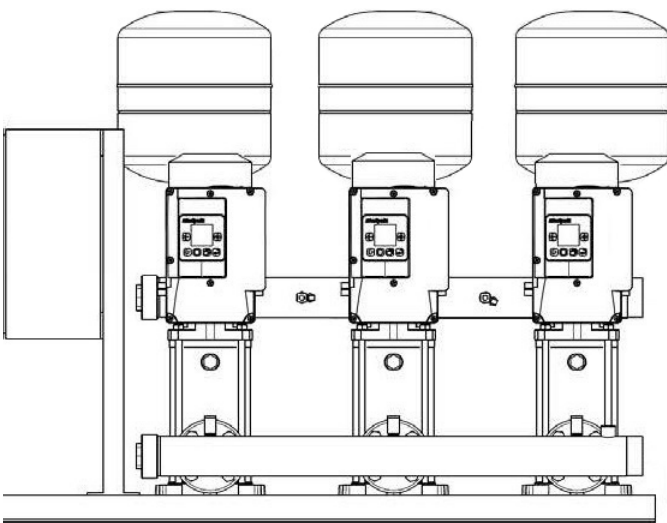
**Flowboost F.V Range**  
Booster Sets



**FRONT VIEW**

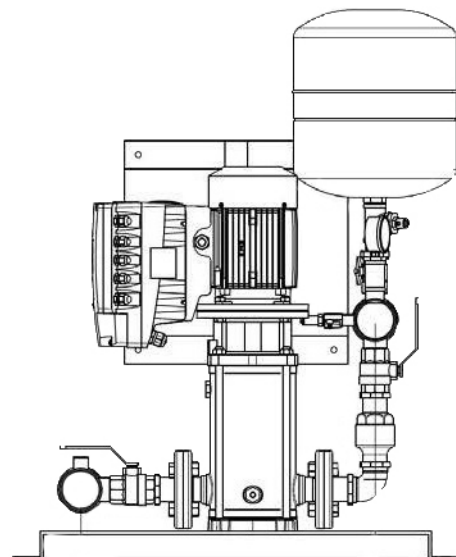


**SIDE VIEW**



**FRONT VIEW**

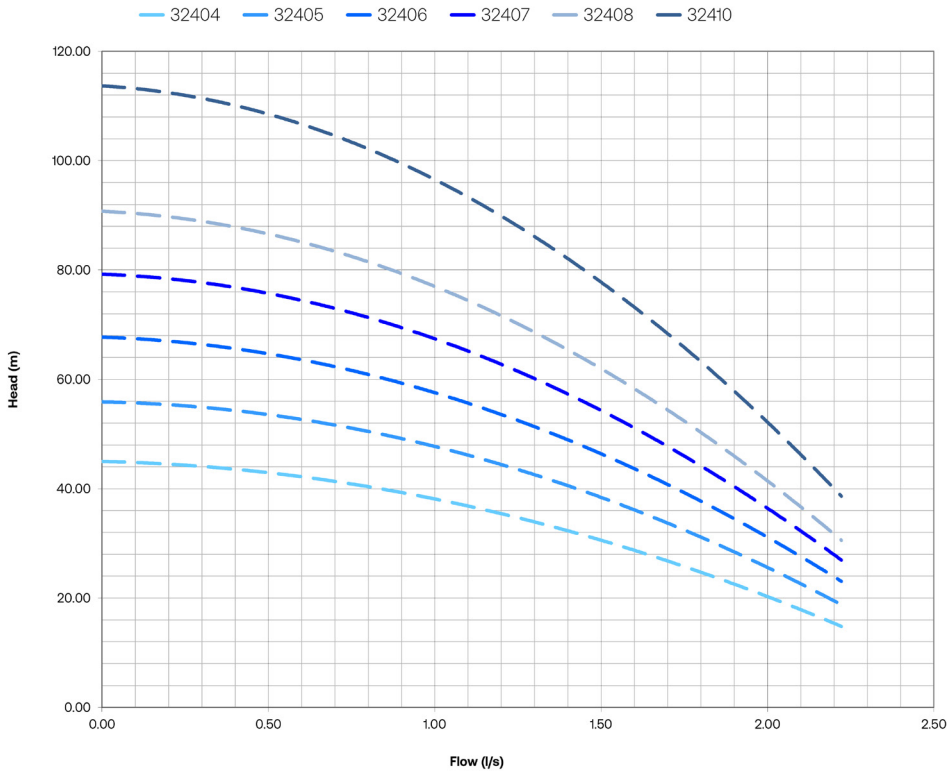
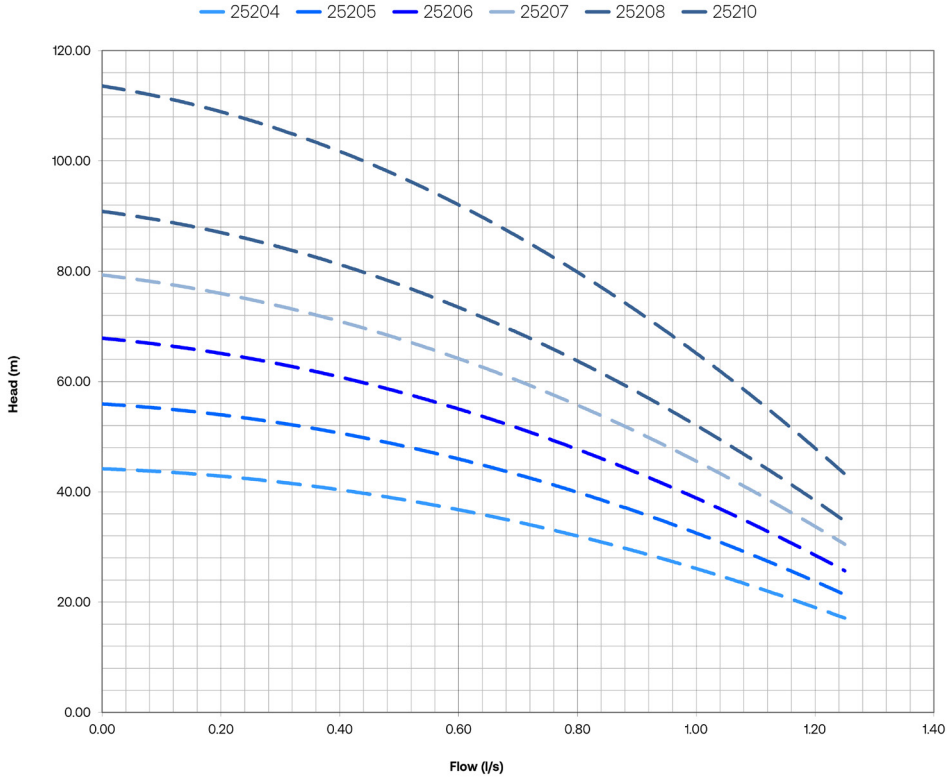
Dimensions measured in mm - NOT TO SCALE



**SIDE VIEW**

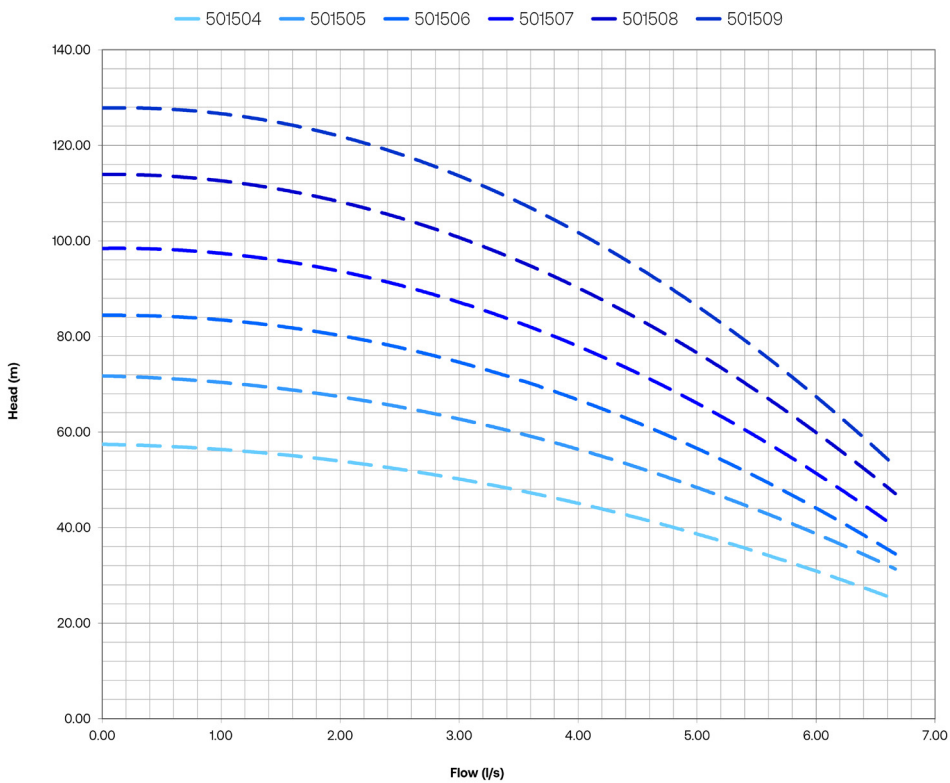
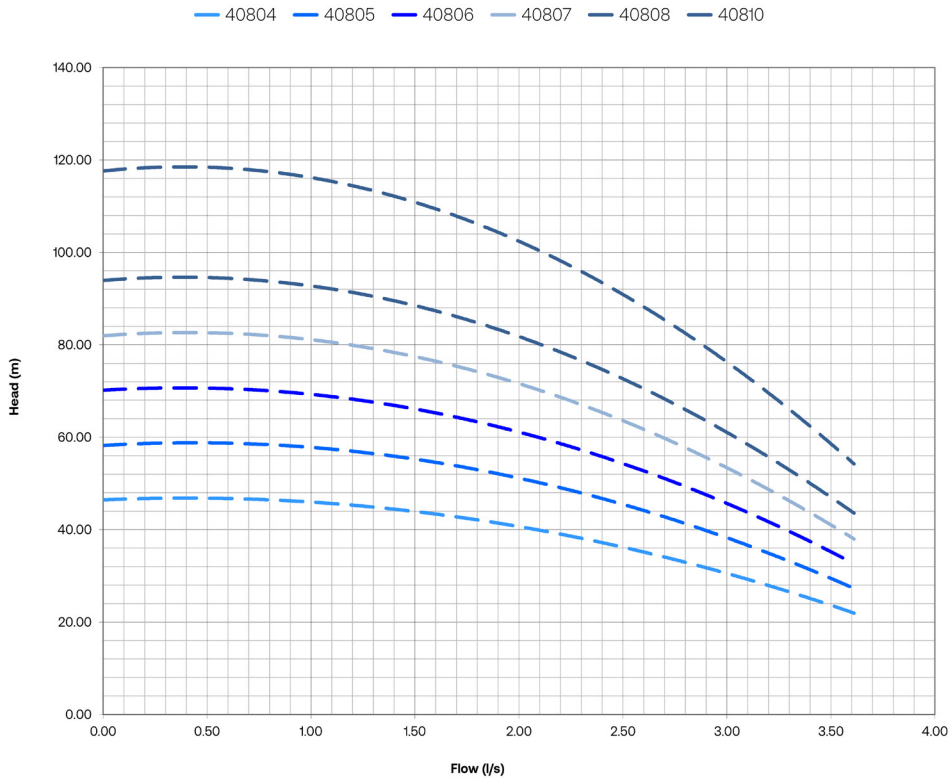
# PERFORMANCE CURVE DATA

Flowboost F.V Range  
Booster Sets



# PERFORMANCE CURVE DATA

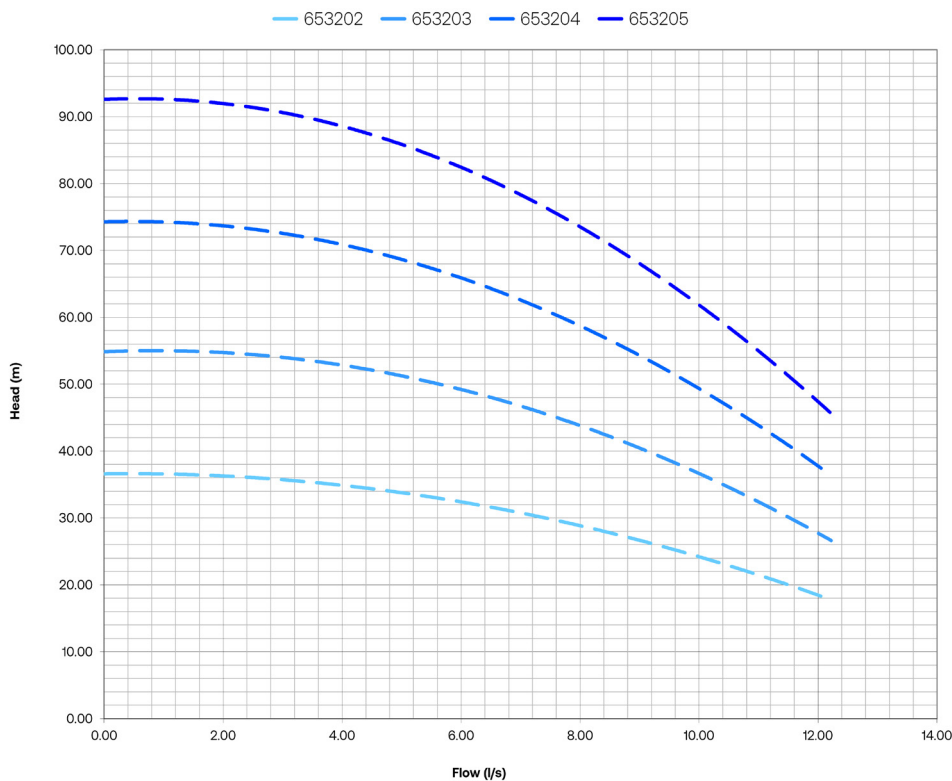
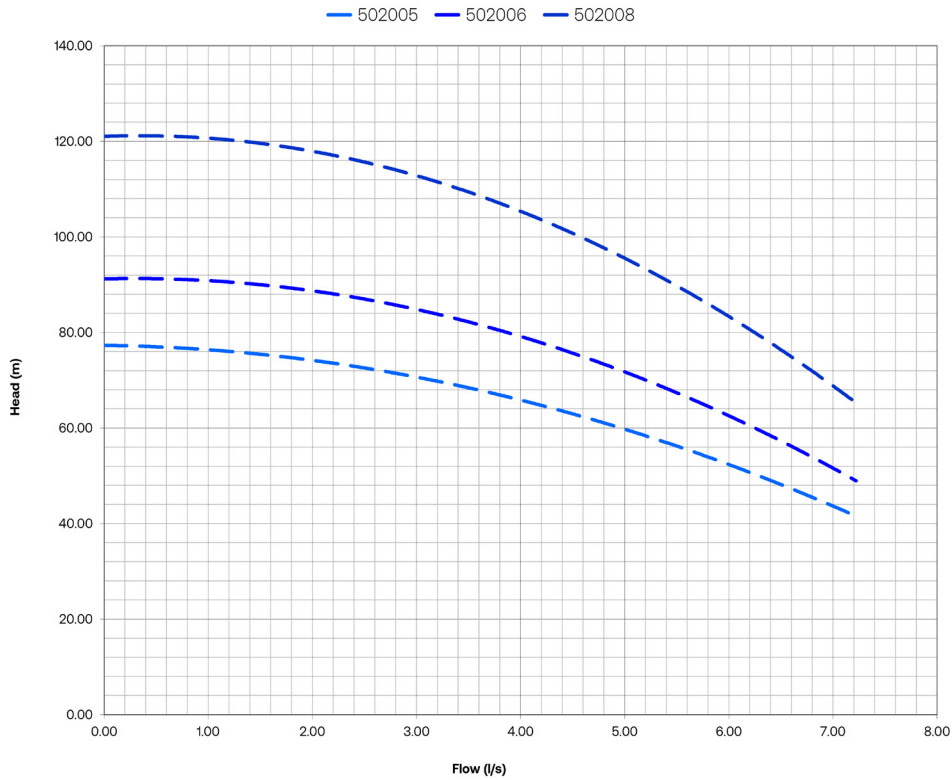
Flowboost F.V Range  
Booster Sets





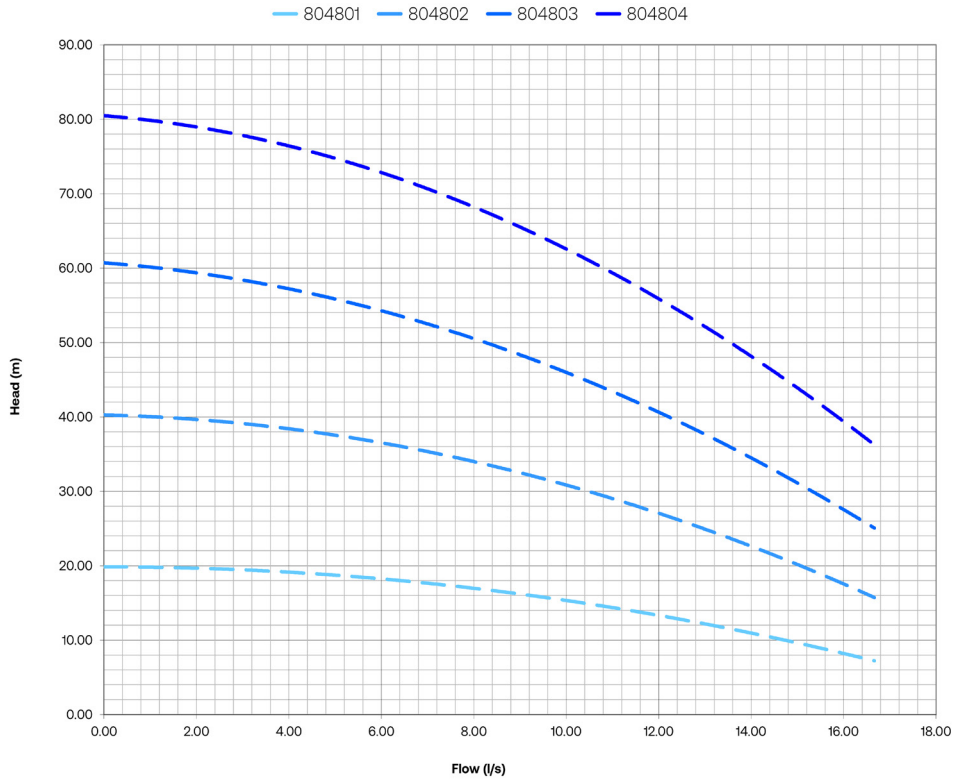
# PERFORMANCE CURVE DATA

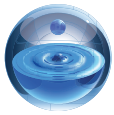
Flowboost F.V Range  
Booster Sets



# PERFORMANCE CURVE DATA

**Flowboost F.V Range**  
Booster Sets





**flowtech**<sup>®</sup>  
WATER SOLUTIONS

# flowzone<sup>®</sup>

MEMBERS AREA

This section of the **flowtech**<sup>®</sup> website holds information exclusively for members. Members will need to log in to gain access to these pages.

Our member's will be granted exclusive access to our technical resource library. Within this resource is a wide range of product information including data sheets, technical drawings, O&M Manuals and training videos



# flowcare<sup>®</sup>

AFTER SALES SERVICE

At **flowtech**<sup>®</sup> we operate a network of Service Engineers located throughout the UK who are supported by our offices located Greater Manchester. The distribution of engineers means that in the majority of cases we are less than 4 hours away from attending a customer call out.

We place great emphasis on providing technical back up to support our Service Engineers in resolving some difficult operational and technical issues. We pride ourselves on completing a project on time, within budget and never leaving a problem unresolved, or a customer waiting. This quality of service has made us the first choice for our customers.

FOR FURTHER INFORMATION OR ASSISTANCE

## contact us

Flowtech Water Solutions are experts in water services and water booster sets. We have continuously supplied a wide range of standard and custom products since being founded in 1996.

### MANUFACTURE & SUPPLY

TELEPHONE : 0333 200 1756

EMAIL: [info@flowtech.org.uk](mailto:info@flowtech.org.uk)

### SERVICE & MAINTENANCE

TELEPHONE : 0333 200 1813

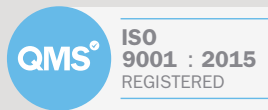
EMAIL: [service@flowtech.org.uk](mailto:service@flowtech.org.uk)

WEBSITE: [www.flowtech.org.uk](http://www.flowtech.org.uk)

ADDRESS : Unit 1 Lock Flight Buildings, Wheatlea Industrial Estate,  
Wigan, Greater Manchester WN3 6XP United Kingdom



Membership No. 700106



Certificate No. 185352020