



flowstore[®]

One Piece Range
Cold Water Storage Tanks

DATA SHEET

First Publication Date: 01/09/2020

Revision: v1

Revision Date:



PRODUCT OVERVIEW



CERTIFICATION MARK
1903110

Flowstore One Piece Cold Water storage Tanks

Flowstore WRAS Approved one piece cold water storage tanks manufactured from GRP materials. Close fitting and sealed lid which is removable for maintenance. Supplied complete with screened vent and screened overflow unit to comply with The Water Supply (water fittings) Regulations 1999.

Provides mains water protection from fluid category 1, 2, 3, & 4 with standard lid arrangement & fluid category 5 when a adequately sized spill over weir is provided.

- Sizes available from 90 - 12000 litres nominal
- Fully WRAS approved
- Manufactured from highest quality GRP materials
- CFC free PU foam insulation completely encapsulated within the GRP laminate.
- Structural support provided by rolled hollow section steel with welded corner jointing
- 1000 litre nominal and over c/w access manway, removable lid 520x520mm opening
- 25mm Insulation
- 50mm Insulation upgrade option

PRODUCT DETAILED OVERVIEW

Flowstore One Piece
Cold Water Storage Tanks



Equilibrium Float Valve

A wide selection of high flow equilibrium float valves in 1/2" to 4" WRAS approved



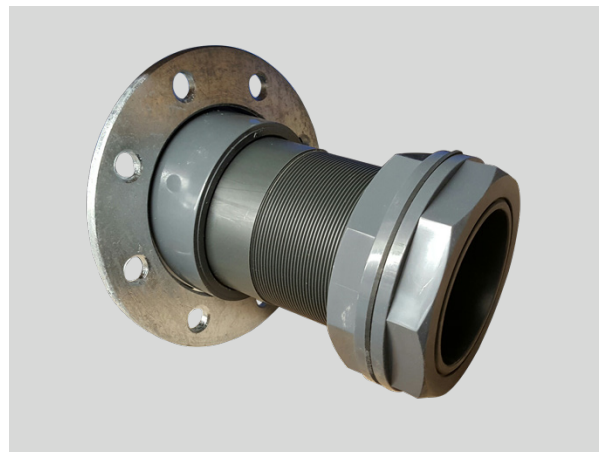
Screened Overflow

Correctly sized screened overflows ensures new tanks comply with current water regulations



Float Switch with Anchor Weight

The most universally used float switch in the world for the automation of pumps and storage tanks.



Tank Connector

Flanged tank connectors provide a way of connecting to pipework and allow a secure seal to the wall of the tank.



MODELS & DIMENSIONS DATA

Flowstore One Piece
Cold Water Storage Tanks

MODEL	Nominal Capacity (litres)	Internal Dimensions (mm)	External Dimensions (mm)
Imperial Configuration Tanks			
flowstore 90.INS	90	610 x 305 x 510mm high	790 x 500 x 540mm high
flowstore 160.INS	160	760 x 460 x 460mm high	950 x 655 x 500mm high
flowstore 225.INS	225	610 x 610 x 610mm high	805 x 805 x 650mm high
flowstore 340.INS	340	915 x 610 x 610mm high	1090 x 785 x 645mm high
flowstore 338.INS	338	610 x 610 x 910mm high	805 x 805 x 935mm high
flowstore 454.INS	454	1067 x 610 x 710mm high	1255 x 805 x 745mm high
flowstore 570.INS	570	990 x 760 x 760mm high	1150 x 925 x 800mm high
flowstore 650.INS	650	1067 x 610 x 1000mm high	1255 x 805 x 1040mm high
flowstore 680.INS	680	1220 x 915 x 610mm high	1395 x 1090 x 655mm high
flowstore 712.INS	712	1090 x 860 x 760mm high	1278 x 1035 x 805mm high
flowstore 909.INS	909	1168 x 890 x 890mm high	1330 x 1050 x 930mm high
flowstore 1135.INS	1135	1524 x 915 x 812mm high	1680 x 1080 x 905mm high
flowstore 1364.INS	1364	1370 x 1092 x 915mm high	1570 x 1290 x 1008mm high
flowstore 1590.INS	1590	1524 x 1143 x 915mm high	1700 x 1310 x 1008mm high
flowstore 1818.INS	1818	1220 x 1220 x 1220mm high	1390 x 1390 x 1308mm high
flowstore 2272.INS	2272	1828 x 1220 x 1016mm high	2020 x 1410 x 1110mm high
flowstore 2726.INS	2726	1828 x 1220 x 1220mm high	2020 x 1410 x 1315mm high
flowstore 3185.INS	3185	2440 x 1220 x 1070mm high	2610 x 1410 x 1165mm high
flowstore 3636.INS	3636	2440 x 1220 x 1220mm high	2610 x 1410 x 1315mm high

MODELS & DIMENSIONS DATA

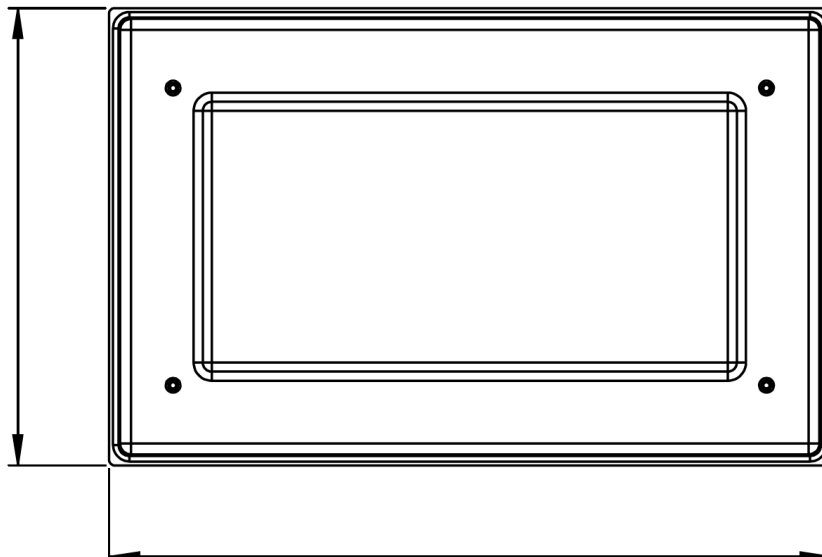
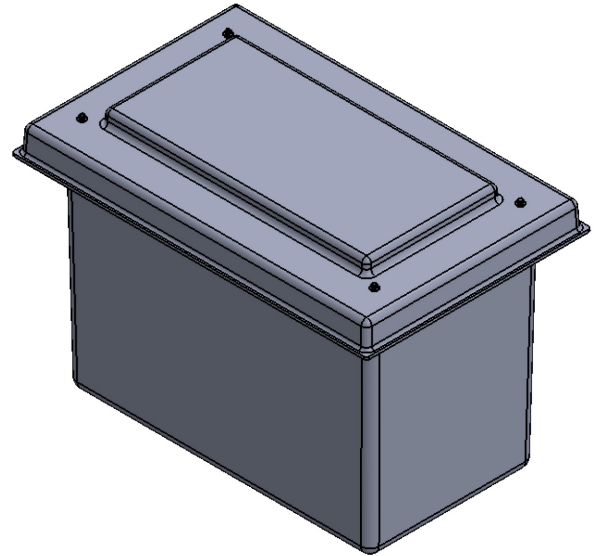
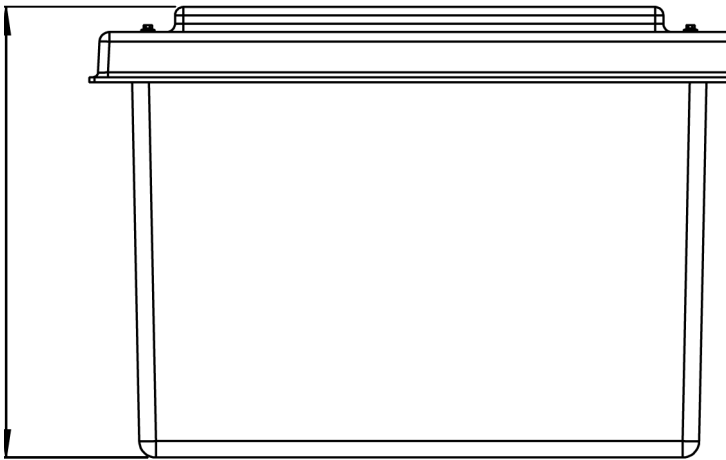
Flowstore One Piece Cold Water Storage Tanks

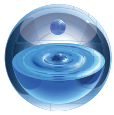
MODEL	Nominal Capacity (litres)	Internal Dimensions (mm)	External Dimensions (mm)
Metric Configuration Tanks			
flowstore 125.INS	125	500 x 500 x 500mm high	690 x 690 x 535mm high
flowstore 187.INS	187	500 x 500 x 750mm high	690 x 690 x 785mm high
flowstore 250.INS	250	1000 x 500 x 500mm high	1180 x 680 x 540mm high
flowstore 251.INS	250	500 x 500 x 100mm high	690 x 690 x 1035mm high
flowstore 305.INS	305	500 x 500 x 1220mm high	690 x 690 x 1255mm high
flowstore 375.INS	375	500 x 500 x 1500mm high	690 x 690 x 1535mm high
flowstore 500.INS	500	1000 x 1000 x 500mm high	1180 x 1180 x 540mm high
flowstore 501.INS	500	1000 x 500 x 1000mm high	1180 x 680 x 1040mm high
flowstore 601.INS	500	1000 x 500 x 1200mm high	1180 x 680 x 1240mm high
flowstore 750.INS	750	1500 x 1000 x 500mm high	1705 x 1205 x 540mm high
flowstore 751.INS	750	1000 x 1000 x 750mm high	1180 x 1180 x 790mm high
flowstore 1000.INS	1000	1000 x 1000 x 1000mm high	1180 x 1180 x 1095mm high
flowstore 1050.INS	1050	1500 x 500 x 1400mm high	1665 x 665 x 1453mm high
flowstore 1125.INS	1125	1500 x 500 x 1500mm high	1665 x 665 x 1553mm high
flowstore 1220.INS	1220	1000 x 1000 x 1220mm high	1180 x 1180 x 1315mm high
flowstore 1500.INS	1500	1500 x 1000 x 1000mm high	1705 x 1205 x 1095mm high
flowstore 1501.INS	1500	1000 x 1000 x 1500mm high	1180 x 1180 x 1595mm high
flowstore 2000.INS	2000	2000 x 1000 x 1000mm high	2205 x 1205 x 1095mm high
flowstore 2001.INS	2000	1000 x 1000 x 2000mm high	1180 x 1180 x 2093mm high
flowstore 2250.INS	2250	1500 x 1000 x 1500mm high	1705 x 1205 x 1595mm high
flowstore 2501.INS	2500	2000 x 1000 x 1250mm high	2205 x 1205 x 1345mm high
flowstore 3000.INS	3000	3000 x 1000 x 1000mm high	3205 x 1205 x 1095mm high
flowstore 3001.INS	3000	2000 x 1000 x 1500mm high	2205 x 1205 x 1595mm high
flowstore 3750.INS	3750	2500 x 1500 x 1000mm high	2695 x 1695 x 1095mm high
flowstore 4000.INS	4000	2000 x 2000 x 1000mm high	2195 x 2195 x 1095mm high
flowstore 4001.INS	4000	2000 x 1000 x 2000mm high	2205 x 1205 x 2095mm high
flowstore 4500.INS	4500	2500 x 1500 x 1200mm high	2695 x 1695 x 1295mm high
flowstore 5000.INS	5000	2500 x 2000 x 1000mm high	2695 x 2195 x 1095mm high
flowstore 5625.INS	5625	2500 x 1500 x 1500mm high	2695 x 1695 x 1595mm high
flowstore 6000.INS	6000	3000 x 2000 x 1000mm high	3195 x 2195 x 1095mm high
flowstore 6001.INS	6000	2000 x 2000 x 1500mm high	2195 x 2195 x 1595mm high
flowstore 7500.INS	7500	2500 x 2000 x 1500mm high	2695 x 2195 x 1595mm high
flowstore 9000.INS	9000	3000 x 2000 x 1500mm high	3195 x 2195 x 1595mm high
flowstore 12000.INS	12000	3000 x 2000 x 2000mm high	3195 x 2260 x 2100mm high



DIMENSIONAL DRAWINGS & **SCHEMATICS**

Flowstore One Piece
Cold Water Storage Tanks





flowtech[®]
WATER SOLUTIONS

flowzone[®]

MEMBERS AREA

This section of the **flowtech**[®] website holds information exclusively for members. Members will need to log in to gain access to these pages.

Our member's will be granted exclusive access to our **flowview**[®] technical resource library. Within this resource is a wide range of product information including data sheets, technical drawings, O&M Manuals and training videos



flowcare[®]

AFTER SALES SERVICE

At **flowtech**[®] we operate a network of Service Engineers located throughout the UK who are supported by our offices located in Greater Manchester. The distribution of engineers means that in the majority of cases we are less than 4 hours away from attending a customer call out.

We place great emphasis on providing technical back up to support our Service Engineers in resolving some difficult operational and technical issues. We pride ourselves on completing a project on time, within budget and never leaving a problem unresolved, or a customer waiting. This quality of service has made us the first choice for our customers.

FOR FURTHER INFORMATION OR ASSISTANCE

contact us

Flowtech Water Solutions are experts in water services and water booster sets. We have continuously supplied a wide range of standard and custom products since being founded in 1996.

MANUFACTURE & SUPPLY

TELEPHONE : 0333 200 1756

EMAIL: info@flowtech.org.uk

SERVICE & MAINTENANCE

TELEPHONE : 0333 200 1813

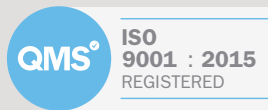
EMAIL: service@flowtech.org.uk

WEBSITE: www.flowtech.org.uk

ADDRESS : Unit 1 Lock Flight Buildings, Wheatlea Industrial Estate,
Wigan, Greater Manchester WN3 6XP United Kingdom



Membership No. 700106



Certificate No. 185352020