



flowpress[®]

Mini Single and Twin Pump
Digital Pressurisation Unit

DATA SHEET

First Publication Date: 24/03/2022

Revision: v1

Revision Date:

Product may differ from images shown



LED DISPLAY



CE MARKED

Available as single
and twin pump
options.

PRODUCT OVERVIEW

flowpress Mini Digital Pressurisation Unit

The **flow**press Mini Digital Pressurisation Units are suitable for maintaining pressure in large domestic and small commercial sealed heating systems, chilled water systems, refrigeration units and industrial cooling systems. The **flow**press Mini units are exceptionally easy to install and commission and are housed in a compact and robust enclosure suitable for wall mounting.

- Suitable for sealed systems of up to 6,000 litres
- Single (Duty) or twin (duty-standby) pump options
- 3.0 bar cold fill pressure
- 2 litre tank capacity
- Compact design, wall mounting
- Digital control system and LED display
- Automated system top-up
- Easy to install and set up
- High flow, WRAS approved fill valve
- Outlet configurable for left or right connection with flexible hose (supplied)
- Category 5 backflow protection, Type AB air gap, weir overflow and warning pipe
- 2 year guarantee
- Flowcare 2 Year 24/7 response warranty available if commissioned

PRODUCT DETAILED OVERVIEW

flowpress Mini Digital Pressurisation Unit



Connections

15 mm compression x 600 mm flexible hose cold water outlet



Control Panel

Digital control system and LED display.



Single or Twin Pump Models

Single (Duty) or twin (duty-standby) pump options



CAT 5 Protection

Category 5 backflow protection, Type AB air gap, weir overflow and warning pipe

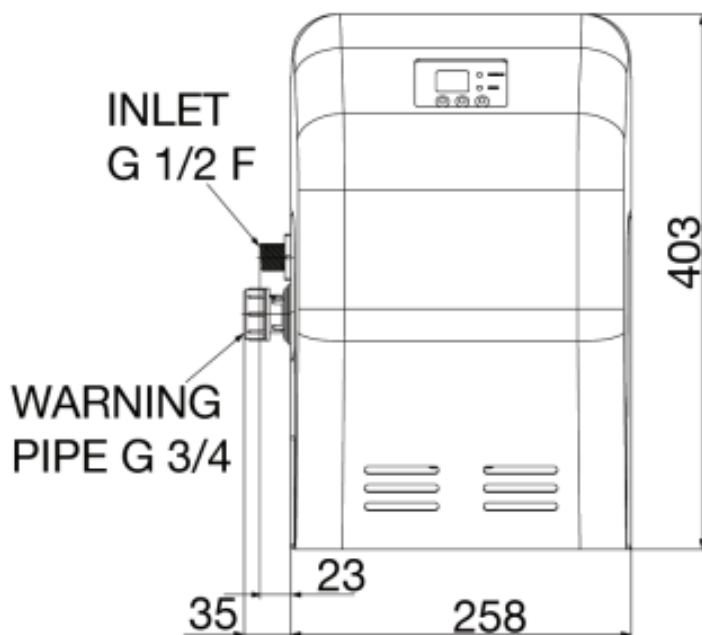
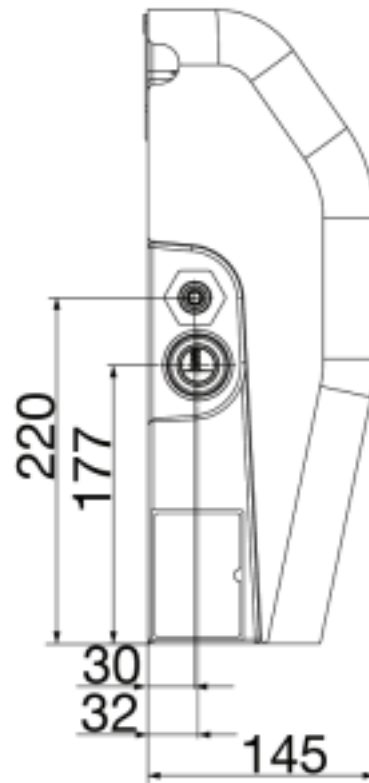
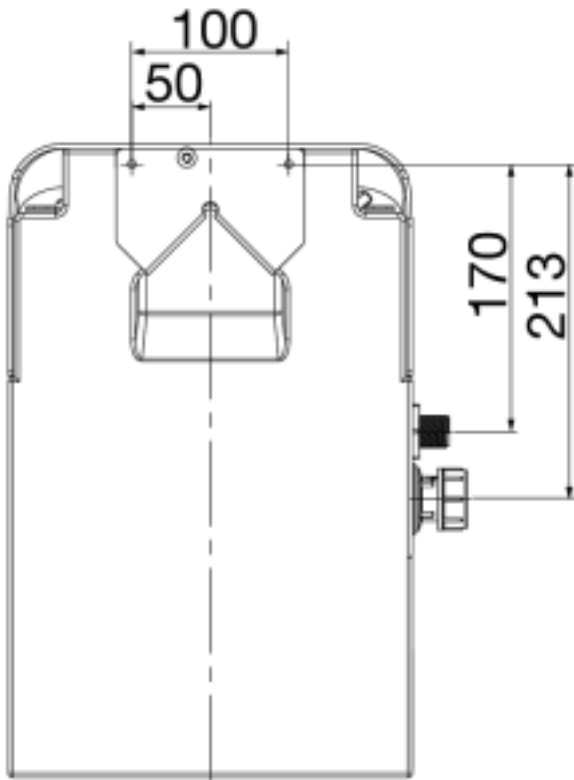
MODELS, DIMENSIONS & ELECTRICAL DATA

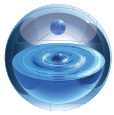
flowpress Mini Digital Pressurisation Unit

Pump Model		flowpress Mini 130	flowpress Mini 230	
General	Guarantee	2 Year		
	Approvals	CE		
Features	System Capacity	Up to 6,000 litres		
	Mounting	Wall mount		
	Pump Control System	✓	✓	
	Intelligent control interface	✓	✓	
	System fill mode	-	-	
	Dry run protection	✓	✓	
	Typical noise	60 dB (A)	60 dB (A)	
	Materials	Break Tank	Polyethylene	
Front Cover		Acrylic capped ABS		
Performance	Maximum Fill Pressure	3.0 bar (300 kPa)		
	Maximum Flow	1 l/min		
	Maximum Inlet Pressure - Tank Fill Valve	7 bar (700 kPa)		
	Maximum Working Pressure	6 bar		
	Ambient Air Temperature	Min 4oC / Max 40oC		
	Relative Humidity	95 % non-condensing		
	Min./Max Water Temperature	Min 4 oC / Max 23 oC		
Water Tank	Usable Water Capacity	2 litres		
	Inlet Valve and fill rate	Torbeck (side entry) 12 l/min		
	Fluid Category	CAT 5 (type AB air gap with weir)		
Connections	Cold water inlet	G ½ male		
	Cold water outlet (flexible hose)	15 mm compression x 600 mm flexible hose		
	Overflow	G ¾ (19 - 23 mm diameter pipe compression fitting)		
Pump	Number of pumps	1	2	
	Pump mode	Duty	Duty-standby	
	Pump Type	Piston		
	Motor Type	Solenoid		
	Duty Rating (Unit)	Int 30 mins on/30 mins off (S3)	Continuous (S1)	
	Pump Head and Seal	PA66/POM	NBR	
Electrical	Power Supply (Vac/Ph/Hz)	230 V a.c. / 1 / 50 Hz		
	Power Consumption - P1	100 Watts		
	Current - Full Load	0.5 Amps		
	Fuse Rating	5 Amps		
	Power Cable Length	1.5 metres (pre-wired)		
	Alarm Output	Single		
Physical	Enclosure Protection	IPX4		
	Width	293 mm		
	Depth	145 mm		
	Height	403 mm		
	Weight - Including Fittings	3.6 Kg	4.2 Kg	
	Weight Filled	6.6 Kg	7.2 Kg	

DIMENSIONAL DRAWINGS & SCHEMATICS

flowpress Mini Digital Pressurisation Unit





flowtech[®]
WATER SOLUTIONS

flowzone[®]

MEMBERS AREA

This section of the **flowtech**[®] website holds information exclusively for members. Members will need to log in to gain access to these pages.

Our member's will be granted exclusive access to our **flowview**[®] technical resource library. Within this resource is a wide range of product information including data sheets, technical drawings, O&M Manuals and training videos



flowcare[®]

AFTER SALES SERVICE

At **flowtech**[®] we operate a network of Service Engineers located throughout the UK who are supported by our offices located in Greater Manchester. The distribution of engineers means that in the majority of cases we are less than 4 hours away from attending a customer call out.

We place great emphasis on providing technical back up to support our Service Engineers in resolving some difficult operational and technical issues. We pride ourselves on completing a project on time, within budget and never leaving a problem unresolved, or a customer waiting. This quality of service has made us the first choice for our customers.

FOR FURTHER INFORMATION OR ASSISTANCE

contact us

Flowtech Water Solutions are experts in water services and water booster sets. We have continuously supplied a wide range of standard and custom products since being founded in 1996.

MANUFACTURE & SUPPLY

TELEPHONE : 0333 200 1756

EMAIL: info@flowtech.org.uk

SERVICE & MAINTENANCE

TELEPHONE : 0333 200 1813

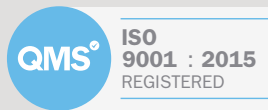
EMAIL: service@flowtech.org.uk

WEBSITE: www.flowtech.org.uk

ADDRESS : Unit 1 Lock Flight Buildings, Wheatlea Industrial Estate,
Wigan, Greater Manchester WN3 6XP United Kingdom



Membership No. 700106



Certificate No. 185352020