



flowvess[®]

GFU Expansion Vessel

DATA SHEET

First Publication Date: 01/09/2020

Revision: v2

Revision Date: 17/01/2024



PRODUCT OVERVIEW

Flowvess GFU Range

The **flowvess** GFU Flowthru range is a flow-through expansion vessel that is intended for use on unvented potable systems. Ideally suited for systems where the water stored in the tank is not circulated due to a maintained level of continuous pressure in the system. The vessel is comprised of a high strength steel shell and EPDM diaphragm.

Legionella is normally speaking only an issue in potable water systems as a result on critical systems a 'dead leg' connection for the expansion vessel is not permitted. Water in the expansion vessel has to be flushed or regularly refreshed by designing the water to flow through the vessel, hence the term 'Flow Through' vessel.

Legionella is an issue in potable water systems with working temperatures between 25°C and 60°C. Outside of those temperatures Legionella doesn't grow at a significant rate and will not give problems as long as the water is not allowed to 'stand' and stagnate. However because potable water systems are generally held between 55°C and 65°C growth and reproduction of Legionella in 'standing' water is a serious concern.

To combat this we have a 'Flow Through' vessel to ensure that the cold water supply pipe to commercial calorifiers can be protected against water expansion and the growth of microbiological organisms.

- Available in Composite or Steel
- Capacity: 60 - 325 litre
- Maximum operating temperature: 90°C (steel)
- Maximum working pressure: 8.6 bar
- Pre-charge: 1.4 bar
- System water connection (stainless steel)

For the freshest water quality possible with the revolutionary Flow-Thru Series design, available in both composite or steel models. All Flow-Thru tanks feature exclusive patented Flow-Thru technology which assures that your system will provide the freshest water quality possible by simply eliminating stagnation. The Flow-Thru connection diverts system water into, and more importantly out of the tank while the pump is running. This constant flushing action assures that the water in the tank remains as fresh as possible and eliminates the possibility of stagnant water during normal system operation.

Both our steel or composite Flow-Thru tanks incorporate our proven patented controlled action diaphragm (CAD2). CAD2's steel clench ring regulates movement and prevents the diaphragm from rubbing against the tank wall. Flow-Thru is also the ideal solution for constant pressure water system installers seeking to store water without the risk of stagnation.

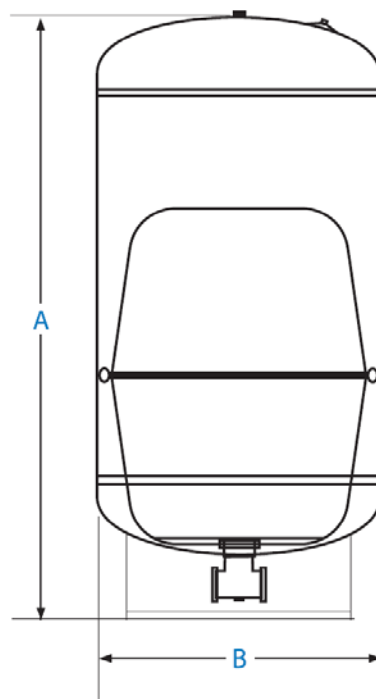
Flow-Thru tanks are quality tested at several stages on the production line to insure the structural integrity of every tank.

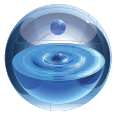
MODELS & DIMENSIONS DATA

MODEL	Litres	A	B	Gross Weight	Connection
flow ness Flowthru Steel 80	80	736	407	20.0	1 ¼" bsp female
flow ness Flowthru Steel 170	170	943	533	30.9	1 ¼" bsp female
flow ness Flowthru Steel 325	325	1149	660	55.4	1 ¼" bsp female
flow ness Flowthru Steel 450	450	1537	660	69.9	1 ¼" bsp female

All dimensions in mm

DIMENSIONAL DRAWINGS & SCHEMATICS





flowtech[®]
WATER SOLUTIONS

flowzone[®]

MEMBERS AREA

This section of the **flowtech**[®] website holds information exclusively for members. Members will need to log in to gain access to these pages.

Our member's will be granted exclusive access to our **flowview**[®] technical resource library. Within this resource is a wide range of product information including data sheets, technical drawings, O&M Manuals and training videos



flowcare[®]

AFTER SALES SERVICE

At **flowtech**[®] we operate a network of Service Engineers located throughout the UK who are supported by our offices located in Greater Manchester. The distribution of engineers means that in the majority of cases we are less than 4 hours away from attending a customer call out.

We place great emphasis on providing technical back up to support our Service Engineers in resolving some difficult operational and technical issues. We pride ourselves on completing a project on time, within budget and never leaving a problem unresolved, or a customer waiting. This quality of service has made us the first choice for our customers.

FOR FURTHER INFORMATION OR ASSISTANCE

contact us

Flowtech Water Solutions are experts in water services and water booster sets. We have continuously supplied a wide range of standard and custom products since being founded in 1996.

MANUFACTURE & SUPPLY

TELEPHONE : 0333 200 1756

EMAIL: info@flowtech.org.uk

SERVICE & MAINTENANCE

TELEPHONE : 0333 200 1813

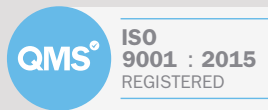
EMAIL: service@flowtech.org.uk

WEBSITE: www.flowtech.org.uk

ADDRESS : Unit 1 Lock Flight Buildings, Wheatlea Industrial Estate,
Wigan, Greater Manchester WN3 6XP United Kingdom



Membership No. 700106



Certificate No. 185352020