

flowtech[®]
WATER SOLUTIONS



flowvess[®]

PWR Expansion Vessel

DATA SHEET

First Publication Date: 01/09/2020

Revision: v1

Revision Date:



**10 Bar
Rated**
PRESSURE
RATING

CE
CE MARKED

PRODUCT OVERVIEW

Flowvess PWR Range

The **flow**vess PWR expansion vessels are ideally suited for potable water, water heating & hydro-pneumatic well applications.

A wide range of sizes from 2 to 1000 litres, manufactured in carbon steel with a two or three part weld construction with a pre-pressurised air chamber with synthetic rubber compound bladder. Sizes 60 to 1000 litres (except 140 litres) have a replaceable bladder.

The internal surfaces of the vessel in contact with the water are coated against corrosion, external surfaces have a blue durable powder coated finish.

Suitable for temperatures up to 70°C, resistant to ethylene or propylene glycol mixtures and has low gas permeability.

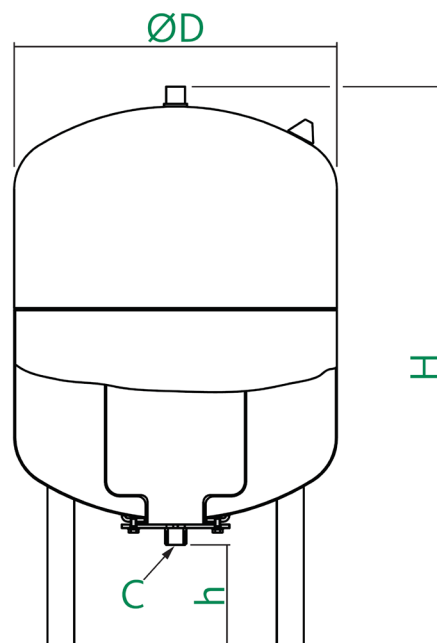
- Maximum Working Pressure: 10 bar Rated
- Capacity: 2 - 1000 litre
- 60 to 1000 litres (except 140 litres) have a replaceable bladder.
- Maximum operating temperature: 70°C
- Each vessel is factory tested.

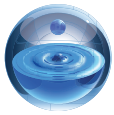
MODELS & DIMENSIONS DATA

MODEL	Litres	ØD	H	h	Connection	Weight Kgs
flow vess PWR 2	2	132	260	-	3/4"	1.0
flow vess PWR 8	8	206	325	-	3/4"	1.8
flow vess PWR 12	12	280	310	-	3/4"	2.4
flow vess PWR 18	18	280	380	-	3/4"	2.8
flow vess PWR 25	25	280	500	-	3/4"	4.7
flow vess PWR 33	33	354	455	-	3/4"	6.6
flow vess PWR 50	50	409	605	104	1"	9.5
flow vess PWR 60	60	409	740	152	1"	14
flow vess PWR 80	80	480	730	152	1"	16
flow vess PWR 100	100	480	835	152	1"	19
flow vess PWR 140	140	480	1015	145	1"	29
flow vess PWR 200	200	634	970	145	1 1/4"	40
flow vess PWR 300	300	634	1270	145	1 1/4"	54
flow vess PWR 400	400	740	1245	135	1 1/4"	70
flow vess PWR 500	500	740	1475	135	1 1/4"	79
flow vess PWR 600	600	740	1860	265	1 1/2"	103
flow vess PWR 800	800	740	2325	265	1 1/2"	195
flow vess PWR 1000	1000	740	2804	265	1 1/2"	228

All dimensions in mm

DIMENSIONAL DRAWINGS & SCHEMATICS





flowtech[®]
WATER SOLUTIONS

flowzone[®]

MEMBERS AREA

This section of the **flowtech**[®] website holds information exclusively for members. Members will need to log in to gain access to these pages.

Our member's will be granted exclusive access to our **flowview**[®] technical resource library. Within this resource is a wide range of product information including data sheets, technical drawings, O&M Manuals and training videos



flowcare[®]

AFTER SALES SERVICE

At **flowtech**[®] we operate a network of Service Engineers located throughout the UK who are supported by our offices located in Greater Manchester. The distribution of engineers means that in the majority of cases we are less than 4 hours away from attending a customer call out.

We place great emphasis on providing technical back up to support our Service Engineers in resolving some difficult operational and technical issues. We pride ourselves on completing a project on time, within budget and never leaving a problem unresolved, or a customer waiting. This quality of service has made us the first choice for our customers.

FOR FURTHER INFORMATION OR ASSISTANCE

contact us

Flowtech Water Solutions are experts in water services and water booster sets. We have continuously supplied a wide range of standard and custom products since being founded in 1996.

MANUFACTURE & SUPPLY

TELEPHONE : 0333 200 1756

EMAIL: info@flowtech.org.uk

SERVICE & MAINTENANCE

TELEPHONE : 0333 200 1813

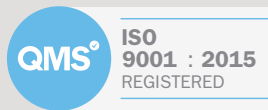
EMAIL: service@flowtech.org.uk

WEBSITE: www.flowtech.org.uk

ADDRESS : Unit 1 Lock Flight Buildings, Wheatlea Industrial Estate,
Wigan, Greater Manchester WN3 6XP United Kingdom



Membership No. 700106



Certificate No. 185352020