



# flowbel<sup>®</sup>

Flanged Flexible Connector

## OPERATION AND MAINTENANCE MANUAL

First Publication Date: 01/09/2020

Revision:

Revision Date:

# GENERAL INFORMATION

## **Flow**bel Flanged Flexible Connectors

These instructions are to assist in the installation of the flowbel tied flanged flexible connection please follow them carefully.

If, having read this Operation & Maintenance Manual, there is any doubt about any aspect of the installation please don't hesitate to contact our technical team.



**We strongly recommend that commissioning and service work is carried out by the manufacturer's personnel or appointed agents ~ please contact our technical sales department for information on our commissioning and service contract packages.**

# SAFETY INFORMATION

It is essential that correct and safe working practices are adhered to at all times when installing, operating and/or maintaining any piece of equipment. Always consult safety data sheets, operating and maintenance manuals, Health & Safety legislation and recommendations and specific requirements of any equipment manufacturer, site controller, building manager or any other persons or organisation relating to the procurement, installation, operation and/or maintenance of any piece of equipment associated or in conjunction with any product provided by **flowtech** Water Solutions.

This document is intended for ALL installers, operators, users and persons carrying out maintenance of this equipment and must be kept with the equipment, for the life of the equipment and made available to all persons at all times. Prior to carrying out any work associated with the set it is essential that the following sheets are read, fully understood and adhered to at all times.

Equipment must only be installed, operated, used, and/or maintained by a competent person. A competent person is someone who is technically competent and familiar with all safety practices and all of the hazards involved.

Any damage caused to any equipment by misapplication, mishandling or misuse could lead to risk of Electrocutation, Burns, Fire, Flooding, death or injury to people and/or damage to property dependent upon the circumstances involved. **flowtech** Water Solutions accepts no responsibility or liability for any damage, losses, injury, fatalities or consequences of any kind due to misapplication, mishandling or misuse of any equipment, or as a result of failure to comply with this manual.

Failure to install, operate, use or maintain the equipment in accordance with the information contained within this document could cause damage to the equipment and any other equipment subsequently connected to it, invalidating any warranties provided by **flowtech** Water Solutions to the buyer.

## Selection

Prior to installation check you have selected the correct flexible connector for the application, pressure, temperature and media requirement.

## Inspection

Before installing flexible connectors they should be checked for any damage internally and externally paying particular attention to the mating face. Make sure the sealing face is clean and free of debris as this will prevent sealing with the mating flange.

## Installation

Flexible connectors should be installed at their natural length. If gaps are being left in the pipework for retro fitting make sure this gap conforms to the exact natural length of the connector. Pipework should be aligned before installation the connector is not designed to compensate for poorly aligned pipework.

Please consult datasheet for allowable movement.

The correct mating flange should always be selected and the sealing face checked for debris and any sharp edges as this could result in damage to the rubber.

If faces of mating flanges have a different diameter a sealing gasket should be used to avoid damage to the rubber face.

Flange bolts must be fitted with the bolt head nearest the connector to avoid damage to the rubber. Bolts must be tightened in a gradual manner tightening opposite bolts in turn. Do not over tighten as this will result in leakage. It is prudent to check tighten the bolts after seven days.

Avoid installation in direct sunlight and dry hot air as this can reduce the lifetime of the rubber.

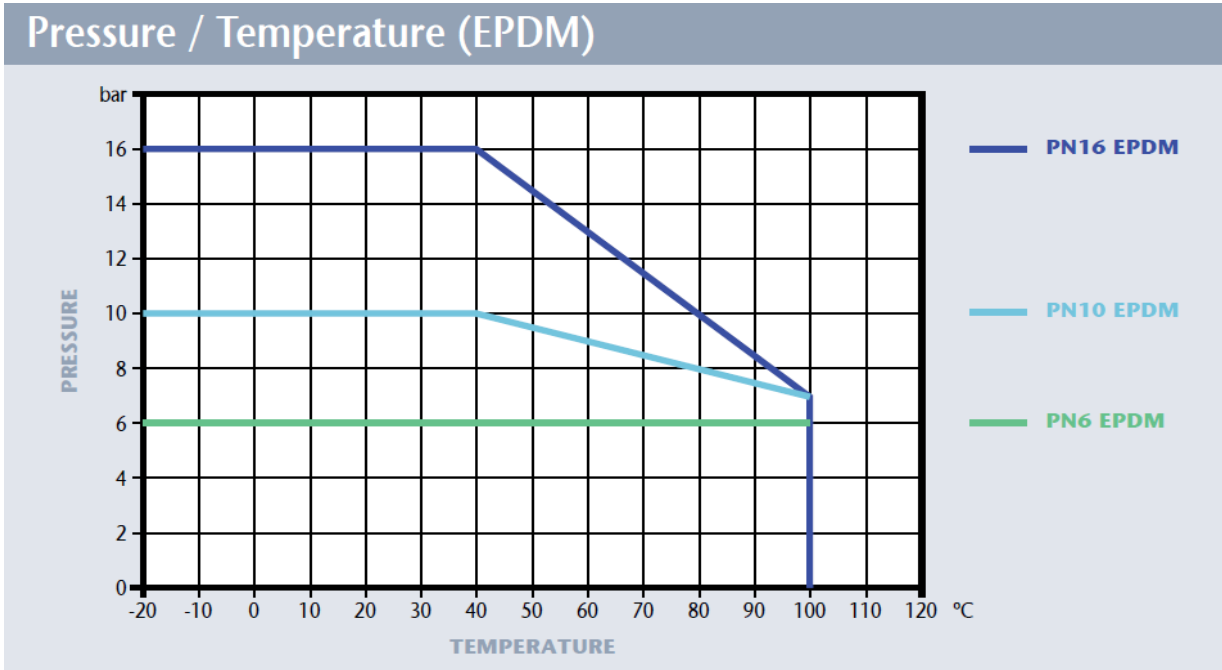
The presence of any solid debris, dirt or grit in the media can lead to abrasion of the interior rubber and a much reduced product service life. Strainers should always be fitted to remove such debris from the media.

## Maintenance

Many years of trouble free installation can be achieved with properly installed flexible connectors. It is essential they are used within their temperature, pressure and media limitations. Regular inspection of the rubber is advised to check for deterioration we also advise a thorough internal and external inspection after a maximum of 3 years of service and replacement should be considered if deterioration or wear is witnessed.

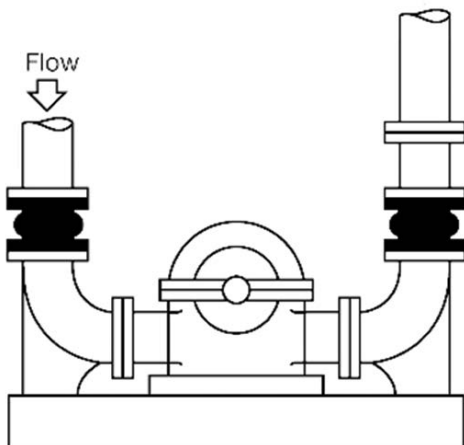
Flange bolts should be checked for correct tightness at regular intervals. The rubber should never be painted as this could damage the rubber and lead to reduced performance and service life.

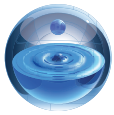
# Pressure / Temperature Charts



## Anchoring

It is essential that flexible connectors are anchored to protect adjacent pipework and plant. Fig 1 shows how to anchor pipework in close installation to pumps. Selection of tied rubber flexible connectors should be considered above 100mm when the pressure is greater than 2.5 bar.





**flowtech**<sup>®</sup>  
WATER SOLUTIONS

# flowzone<sup>®</sup>

MEMBERS AREA

This section of the **flowtech**<sup>®</sup> website holds information exclusively for members. Members will need to log in to gain access to these pages.

Our member's will be granted exclusive access to our technical resource library. Within this resource is a wide range of product information including data sheets, technical drawings, O&M Manuals and training videos



# flowcare<sup>®</sup>

AFTER SALES SERVICE

At **flowtech**<sup>®</sup> we operate a network of Service Engineers located throughout the UK who are supported by our offices located in and Greater Manchester. The distribution of engineers means that in the majority of cases we are less than 4 hours away from attending a customer call out.

We place great emphasis on providing technical back up to support our Service Engineers in resolving some difficult operational and technical issues. We pride ourselves on completing a project on time, within budget and never leaving a problem unresolved, or a customer waiting. This quality of service has made us the first choice for our customers.

FOR FURTHER INFORMATION OR ASSISTANCE

## contact us

Flowtech Water Solutions are experts in water services and water booster sets. We have continuously supplied a wide range of standard and custom products since being founded in 1996.

### MANUFACTURE & SUPPLY

TELEPHONE : 0333 200 1756

EMAIL: [info@flowtech.org.uk](mailto:info@flowtech.org.uk)

### SERVICE & MAINTENANCE

TELEPHONE : 0333 200 1813

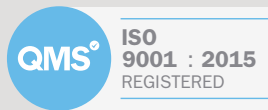
EMAIL: [service@flowtech.org.uk](mailto:service@flowtech.org.uk)

WEBSITE: [www.flowtech.org.uk](http://www.flowtech.org.uk)

ADDRESS : Unit 1 Lock Flight Buildings, Wheatlea Industrial Estate,  
Wigan, Greater Manchester WN3 6XP United Kingdom



Membership No. 700106



Certificate No. 185352020