



flowvent

Clean Brass Separators

OPERATION AND MAINTENANCE MANUAL

First Publication Date: 01/09/2020

Revision:

Revision Date:

GENERAL INFORMATION

These instructions are to assist in the installation of the flowvent clean brass separators please follow them carefully.

If, having read this Operation & Maintenance Manual, there is any doubt about any aspect of the installation please don't hesitate to contact our technical team.



We strongly recommend that commissioning and service work is carried out by the manufacturer's personnel or appointed agents ~ please contact our technical sales department for information on our commissioning and service contract packages.

SAFETY

INFORMATION

It is essential that correct and safe working practices are adhered to at all times when installing, operating and/or maintaining any piece of equipment. Always consult safety data sheets, operating and maintenance manuals, Health & Safety legislation and recommendations and specific requirements of any equipment manufacturer, site controller, building manager or any other persons or organisation relating to the procurement, installation, operation and/or maintenance of any piece of equipment associated or in conjunction with any product provided by **flowtech** Water Solutions.

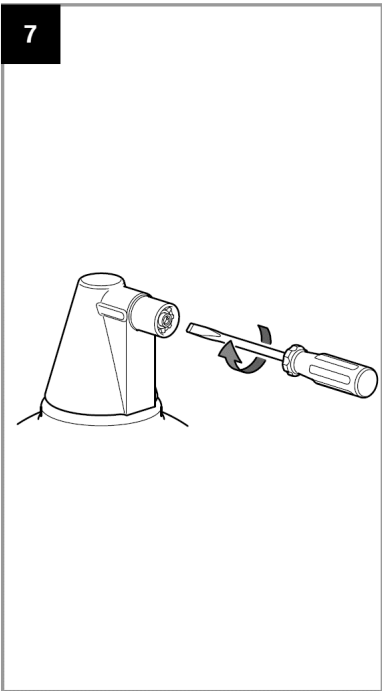
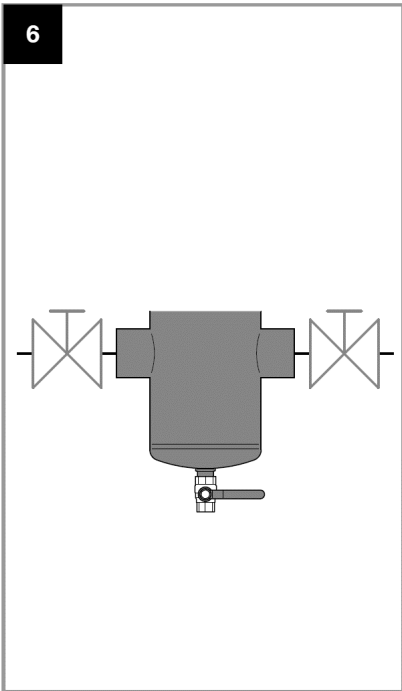
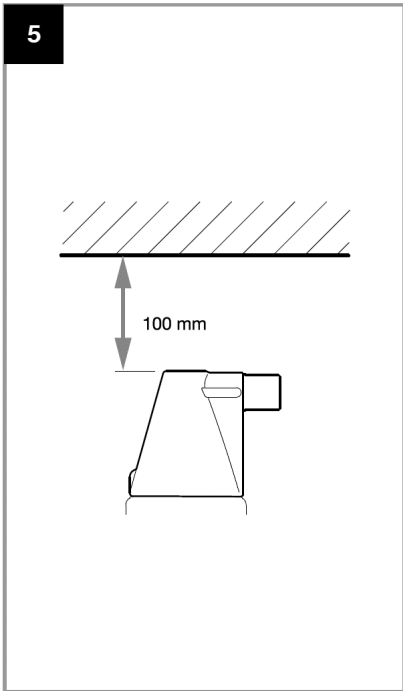
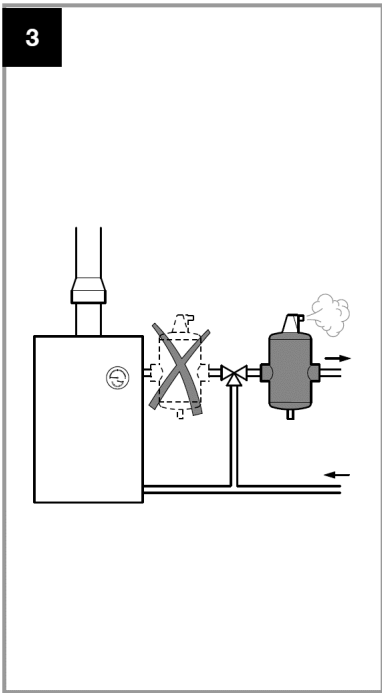
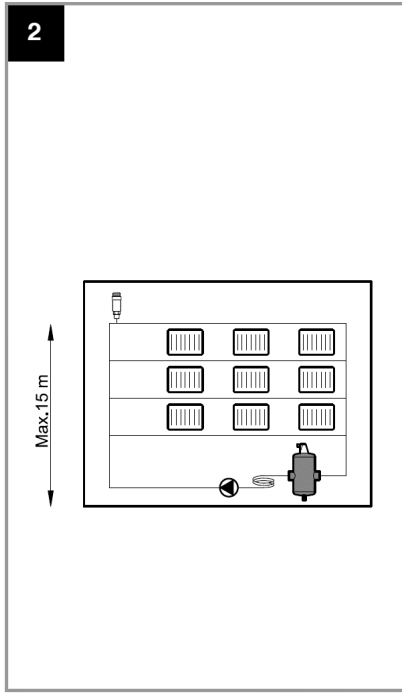
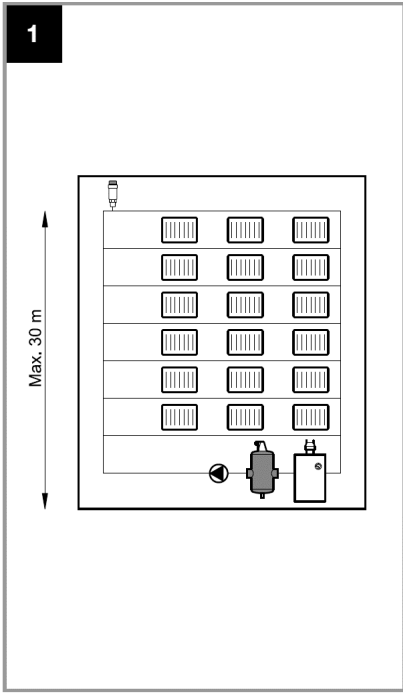
This document is intended for ALL installers, operators, users and persons carrying out maintenance of this equipment and must be kept with the equipment, for the life of the equipment and made available to all persons at all times. Prior to carrying out any work associated with the set it is essential that the following sheets are read, fully understood and adhered to at all times.

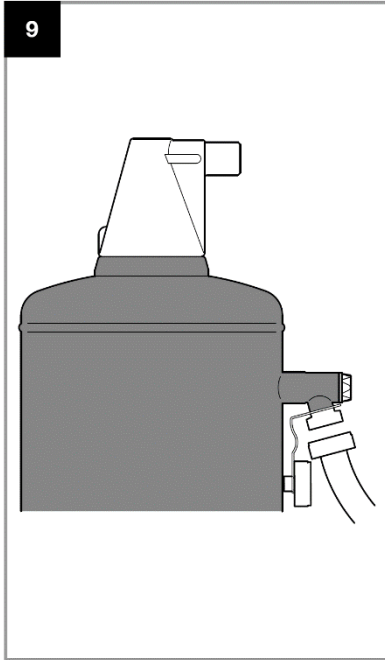
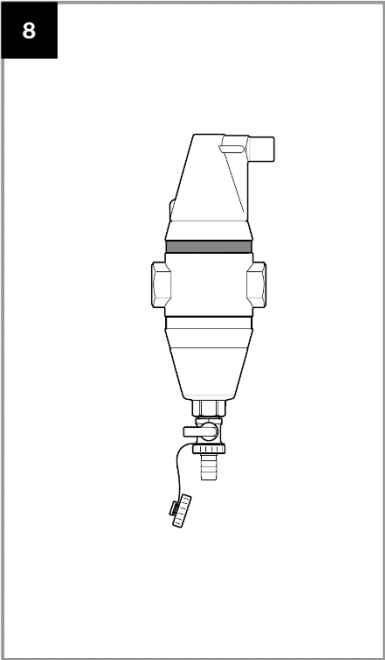
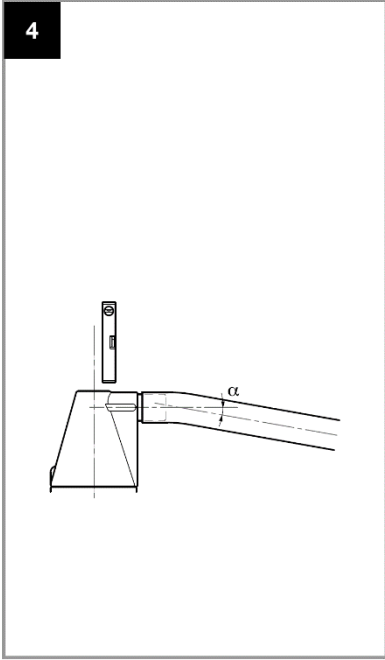
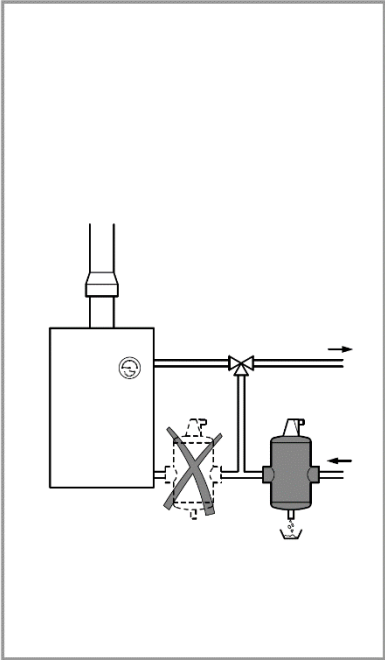
Equipment must only be installed, operated, used, and/or maintained by a competent person. A competent person is someone who is technically competent and familiar with all safety practices and all of the hazards involved.

Any damage caused to any equipment by misapplication, mishandling or misuse could lead to risk of Electrocution, Burns, Fire, Flooding, death or injury to people and/or damage to property dependent upon the circumstances involved. **flowtech** Water Solutions accepts no responsibility or liability for any damage, losses, injury, fatalities or consequences of any kind due to misapplication, mishandling or misuse of any equipment, or as a result of failure to comply with this manual.

Failure to install, operate, use or maintain the equipment in accordance with the information contained within this document could cause damage to the equipment and any other equipment subsequently connected to it, invalidating any warranties provided by **flowtech** Water Solutions to the buyer.







Application

The Flowvent Clean can be used in heating/cooling systems (with glycol-based additives, max. 50%).

Flowvent Clean (10 bar, 16 bar DN50- 65) is in accordance with the Pressure Equipment Directive 2014/68/EU.

A declaration of conformity is available on request.

Safety



Minimum / maximum system temperature –10 °C to see label.

Minimum / maximum system pressure at the Flowvent Clean 0.2 / 10 bars.

Maximum flow velocity through the Flowvent Clean 1.5 m/s.

Maximum static height above Flowvent Clean: central heating: 30 meter, cooling system: 15 meter (fig. 1, 2).



Construction/ installation

Do not install the product above a suspended ceiling or in the vicinity of electronic devices!

Install the Flowvent Clean in a dry location not susceptible to frost which is easily accessible for maintenance purposes.

Heating system: install the Flowvent Clean according primarily desired function (dirt- or air separation) or directly before the boiler in the return pipe, else after the boiler or mixing valve, in the supply pipe, ideally before the circulation pump (fig. 3).

- Chilled water system: just before the chiller.
- Make sure installation is performed by qualified personnel only.
- Local legislation & guidelines must be observed at all times.
- Flush the installation thoroughly before fitting the Flowvent Clean.
- The Flowvent Clean must be fitted vertically (fig. 4).
- The bleed port on the Flowvent Clean has a 22 mm connection for fitting a drain pipe (fig. 4).
- For service purposes, there must be at least 100 mm clearance above the bleed port (fig. 5).
- In order to promote good blowing down, we recommend fitting valves before and after the Flowvent Clean (fig. 6).

Maintenance/Service

The Flowvent Clean must be visually inspected regularly.

Should there be a leak from the bleed port, it can be closed with the screw (fig. 7).

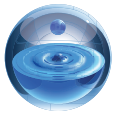
Dirt that collects in the Flowvent Clean's dirt trap can be flushed out using the drain cock (fig. 8). Floating dirt can be drained by using the upper drain cock (fig. 9, models DN 50 – DN 600). Servicing may only be carried out when the system has been de-pressurized and has cooled down.



Removal

De-pressurize the system and remove the Flowvent Clean from the system.

Local legislation must be adhered to when disposing of the Flowvent Clean.



flowtech[®]
WATER SOLUTIONS

flowzone[®]

MEMBERS AREA

This section of the **flowtech**[®] website holds information exclusively for members. Members will need to log in to gain access to these pages.

Our member's will be granted exclusive access to our technical resource library. Within this resource is a wide range of product information including data sheets, technical drawings, O&M Manuals and training videos



flowcare[®]

AFTER SALES SERVICE

At **flowtech**[®] we operate a network of Service Engineers located throughout the UK who are supported by our offices located in and Greater Manchester. The distribution of engineers means that in the majority of cases we are less than 4 hours away from attending a customer call out.

We place great emphasis on providing technical back up to support our Service Engineers in resolving some difficult operational and technical issues. We pride ourselves on completing a project on time, within budget and never leaving a problem unresolved, or a customer waiting. This quality of service has made us the first choice for our customers.

FOR FURTHER INFORMATION OR ASSISTANCE

contact us

Flowtech Water Solutions are experts in water services and water booster sets. We have continuously supplied a wide range of standard and custom products since being founded in 1996.

MANUFACTURE & SUPPLY

TELEPHONE : 0333 200 1756

EMAIL: info@flowtech.org.uk

SERVICE & MAINTENANCE

TELEPHONE : 0333 200 1813

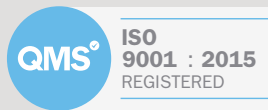
EMAIL: service@flowtech.org.uk

WEBSITE: www.flowtech.org.uk

ADDRESS : Unit 1 Lock Flight Buildings, Wheatlea Industrial Estate,
Wigan, Greater Manchester WN3 6XP United Kingdom



Membership No. 700106



Certificate No. 185352020